



Products Features

Mini Digital Controller

- ▶ Control the Light remote by integrating with software.
- ▶ Each channel can be controlled individually, controlled by hands, another is controlled by RS232 or Ethernet.
- ▶ Provide RS232 or Ethernet communication and 0-999 intensity level.
- ▶ The trigger function is from outsourcing signal to turn on or off the light; It can be switched to constant on or off.

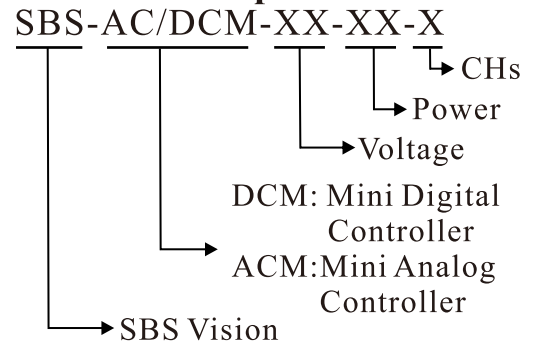
Mini Analog Controller

- ▶ Flexible outsourcing trigger, with continuous on/ off status, intensity can be adjusted without level limited.
- ▶ Small size, easy operation.

Parameter

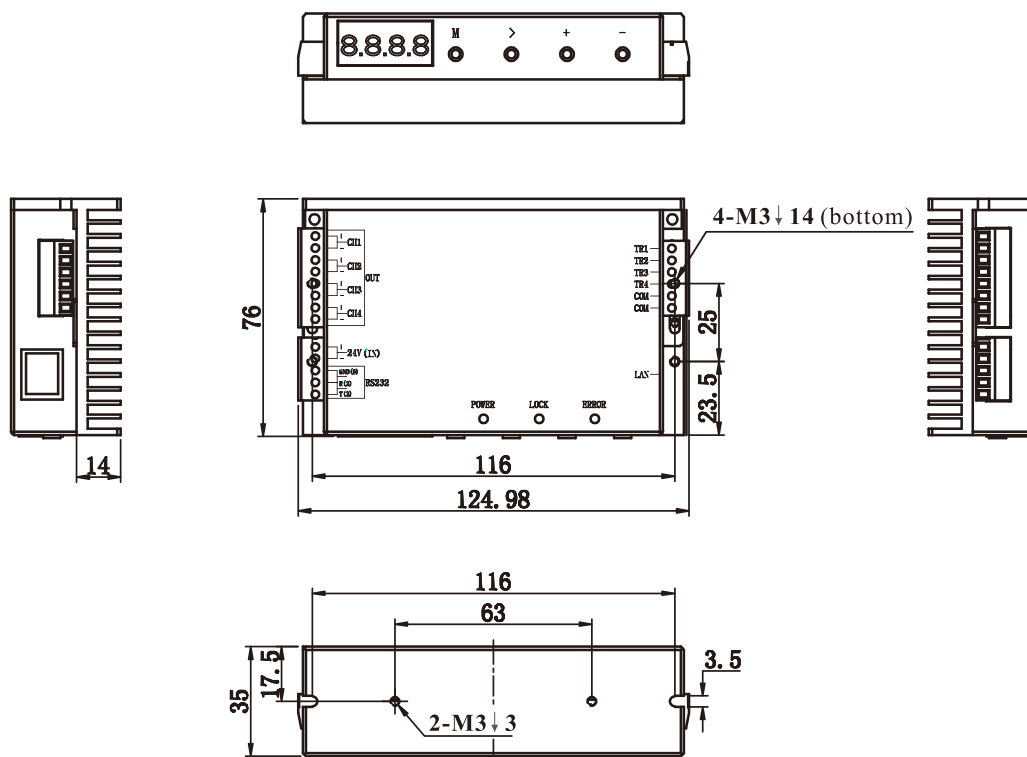
Model Item	SBS-DCM24-60-4	SBS-ACM24-60-4	Model Item	SBS-DCM24-60-4	SBS-ACM24-60-4
Output way	constant voltage		Power	60W	60W
Intensity adjust	manual operation/ RS232/Ethernet	manual operation	Output connector	SM 03V-BC (pin 1 is +, pin 3 is -)	
Input voltage	DC24V		Trigger voltage input	12V-24V (current is 5.6mA)	
Channels	4	4	Trigger delay	Less than 1ms	
Output voltage	24V		Usage environment	temperature: 0-40°C humidity: 20-85% RH (not frozen)	
Max current output	2.5A (Single CH output max 1.5A)		Storage environment	temperature: -20-60°C humidity: 20-85% RH (not frozen)	
Cooling way	Nature cooling			NA	

Model Description



Dimensions(mm)

Mini Digital Controller (SBS-DCM24-60-4)



Mini Analog Controller (SBS-ACM24-60-4)

