

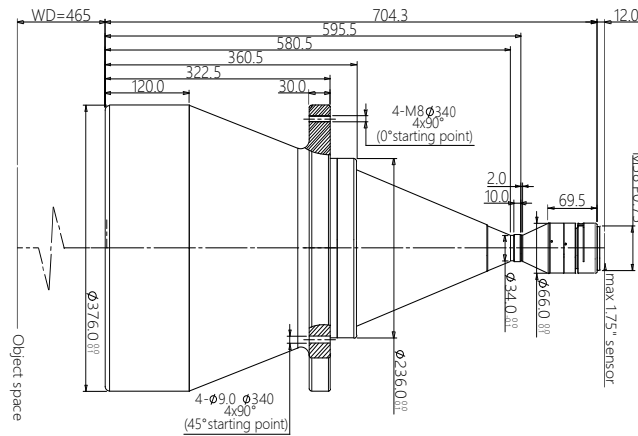


vision solution

Specification

SBS-SCJ465-0.097

High Resolution Double Telecentric Lens



Features (SBS-SCJ series)

- * Excellent double telecentric design for high resolution image result.
- * Field of view is from 26mm to 300mm, suitable for most of application.
- * Big Iris, low distortion, high parallel degree, big depth of view.
- * Sensor size is available for 1/2.5" 1/2" 1/1.8" 2/3" 1" 4/3" 1.75" 2" Φ39 35mm full

Parameters

FOV (Dia.mm)	300
Mag.(x)	0.097
WD (mm)	465±6
Sensor size (Dia.mm)	29(1.75")
Image F#	8.5
Image MTF30(pl/mm)	>105
Object DOF (mm)	±68@F16
Object distortion (%)	<0.1
Object telecentric degree	<0.1
Object I/O(mm)	1181±6

Mechanical

Mount	M42/M48/M58
Total length (mm)	704.3
N.W(KG)	47.1

Field of View (mm x mm)

1.75" CMV12000 (22.53x16.90)	232.3x174.2
1.75" PYTHON16k (18.43x18.43)	190.0x190.0
1.75" LineScan-4k (28.8mm)	296.9