

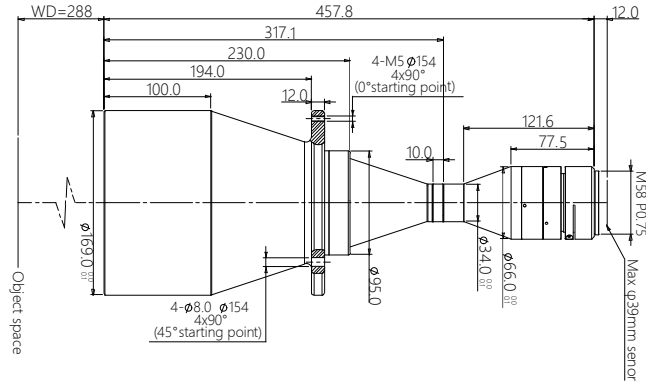


vision solution

# Specification

## SBS-SCJ288-0.287

High Resolution Double Telecentric Lens



### Features (SBS-SCJ series)

- \* Excellent double telecentric design for high resolution image result.
- \* Field of view is from 26mm to 300mm, suitable for most of application.
- \* Big Iris, low distortion, high parallel degree, big depth of view.
- \* Sensor size is available for 1/2.5" 1/2" 1/1.8" 2/3" 1" 4/3" 1.75" 2" Φ39 35mm full.

### Parameters

FOV (Dia.mm)	136
Mag.(x)	0.287
WD (mm)	288±5
Sensor size (Dia.mm)	39
Image F#	7.1
Image MTF30(pl/mm)	>120
Object DOF (mm)	±7.8@F16
Object distortion (%)	<0.1
Object telecentric degree	<0.1
Object I/O(mm)	758±5

### Mechanical

Mount	M58 or other
Total length (mm)	457.8
N.W(KG)	4.8

### Field of View (mm x mm)

CHR 70M (31.0x21.7)	108.0x75.6
---------------------	------------