

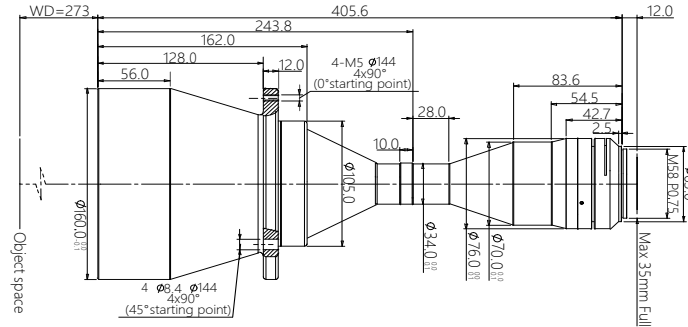


vision solution

# Specification

## SBS-SCJ273-0.363

High Resolution Double Telecentric Lens



### Features (SBS-SCJ series)

- \* Excellent double telecentric design for high resolution image result.
- \* Field of view is from 26mm to 300mm, suitable for most of application.
- \* Big Iris, low distortion, high parallel degree, big depth of view.
- \* Sensor size is available for 1/2.5" 1/2" 1/1.8" 2/3" 1" 4/3" 1.75" 2" Φ39 35mm full.

### Parameters

FOV (Dia.mm)	120
Mag.(x)	0.363
WD (mm)	273±5
Sensor size (Dia.mm)	43.6(35mm Full)
Image F#	8.5
Image MTF30(pl/mm)	>105
Object DOF (mm)	±4.9@F16
Object distortion (%)	<0.1
Object telecentric degree	<0.1
Object I/O(mm)	691±5

### Mechanical

Mount	M58
Total length (mm)	405.6
N.W(KG)	5.0

### Field of View (mm x mm)

CMV50000 (36.43x27.62)	100.4x76.1
KAI29050/2 (36.17x24.11)	99.6x66.4
KAI43142 (36.18x24.12)	99.7x66.4