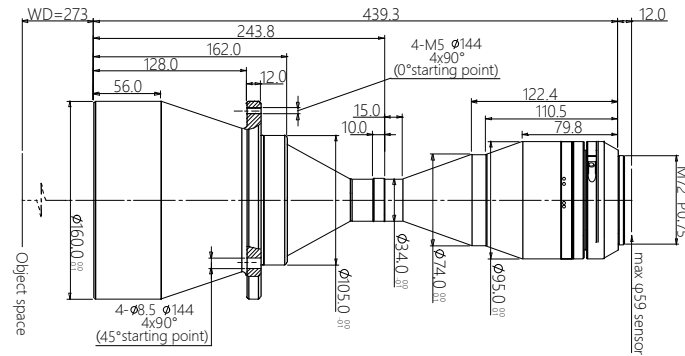


Specification

SBS-SCJ16K-273-0.492

16K High Resolution Telecentric Line Scan Lens



Features (SBS-SCJ16K series)

- High quality double telecentric design
- Designed specially for big large sensor
- Support 47M area scan or 16K line scan
- Mount and DOF can be changed as requested

Parameters

FOV (Dia. mm)	120
Mag.(x)	0.492
WD(mm)	273±5
Sensor size(Dia mm)	59
Image F#	11.6
Image MTF30(lp/mm)	>75
Object DOF(mm)	±3.6@F22
Image distortion(%)	<0.1
Object telecentric degree	<0.1
Object distance I/O(mm)	724±5

Mechanical

Mount	M72
Total length(mm)	439.3
N.W(KG)	-

FOV(mm x mm)

KAI-47051(48.7x29.0)	99.0x58.9
Linescan-16K(3.5/3.53um(57.4um)	116.7
Linescan-8K 7/7.04um(57.4mm)	116.7